

FLUID-BAG

with pallet overlay kit for standard plastic pallets

The environmentally safe multi-trip container which is always new.

FLUID-BAG with the pallet overlay kit for standard plastic pallets is a flexible, intermediate bulk liquid container (IBLC) designed for transport and storage of a wide range of liquid and viscous products. It is suitable for use in the food, pharmaceutical and cosmetic industries.

Benefits

Quality and Safety

The quality of the transported liquid remains uniform. The single-trip inner container is always clean providing a closed system avoiding the risk of airborne particle, germ, moisture or oxygen contamination. The inner container can be gamma irradiated. Each and every inner container is inspected and leakage tested before delivery.

Economy

Alternative liner combinations are available to meet specific needs. Product residues $\leq 0.5\%$ result from stretching the inner container and, when necessary, squeezing the inner container during discharge. A standard 1000 l inner container contains approximately 4.7 kg of recyclable plastic material. The transport bag and the pallet can be reused.

Fluid-Bag containers with pallet overlay kit for standard plastic pallets

Pallet overlay kits are available either in stainless or galvanized steel. Can easily be mounted on standard plastic pallets and later dismantled and fixed to the pallet for return transport.

The pallet overlay kit is designed for plastic pallets of international standard measurements and is not limited to a particular pallet brand (see specifications on next page). Fluid-Bags equipped with pallet overlay kits are stackable and will fit standard pallet racking systems.

The adaptation to plastic pallets has been developed as a low investment and cost-effective option to provide an easy to clean, lightweight and flexible solution.

Fluid-Bags with the pallet overlay kit for standard plastic pallets are easy to integrate into existing logistic systems. This solution combines the flexibility and space-saving advantages of both single-trip and multi-trip containers.



FLUID-BAG

Liquid on the *move...*

Fluid-Bag Ltd.
Bottenviksvägen 54-56
FI-68600 Jakobstad, Finland
Tel. +358 20 779 0444
solutions@fluid-bag.com
www.fluid-bag.com

Technical Data

Parts

Inner container: a single trip, multi-layer foil container surrounded by polypropylene fabric. Barrier foil according to liquid type. Equipped with top and bottom inlets/outlets for filling and discharge.

Stacking frame (optional).

Transport bag: of polypropylene fabric. Can be printed with logo-type if required. Four steel poles. Reusable, multi-trip.

Pallet overlay kit
Galvanized or stainless steel.

Transport pallet of plastic.
Reusable.

Sizes

1000 litres

Weight

Inner container	4-6 kg
Plastic pallet	~22 kg
Pallet overlay kit	18 kg
Poles and transport bag	19 kg
Total	~64-65 kg

Inlets and Outlets

Top Inlets

4" threaded bung opening.
A sterile gas filter can be installed allowing addition of protective gases. Gas sampling for quality testing possible. Tamperproof sealing of the top opening possible. Stirrers can be inserted into the bung opening.

Bottom Outlets

- 2" discharge pipe with flapper valve
- 3" discharge pipe with or without membrane
- 3" discharge pipe with integrated butterfly valve

General Limit Values

max. liquid density	2.2 kg/dm ³
max. vapour pressure at 55° C	30.0 kPa
max. stacking height	2 containers
filling temperature	-18° - +70°C

Required load bearing capability of the plastic pallet*

- Static load	7500 kg
- Dynamic load	1500 kg
- In racking system	1250 kg

* Definitions:

- Static load: resistance to pressure on a flat ground surface and an evenly distributed load at a room temperature of approx. 20 °C.
- Dynamic load: on a forklift with an evenly distributed load at a room temperature of approx. 20 °C.
- In racking system: evenly distributed load along the longitudinal sides. Resting on two supports for over 100 h at a room temperature of approx. 20 °C.

Handling and Stacking

Fluid-Bag with pallet overlay kit for standard plastic pallets can be fork lifted from all four sides. Also suitable for conveyor use. Filled containers can be stored in standard pallet racking systems or floor stacked two high.

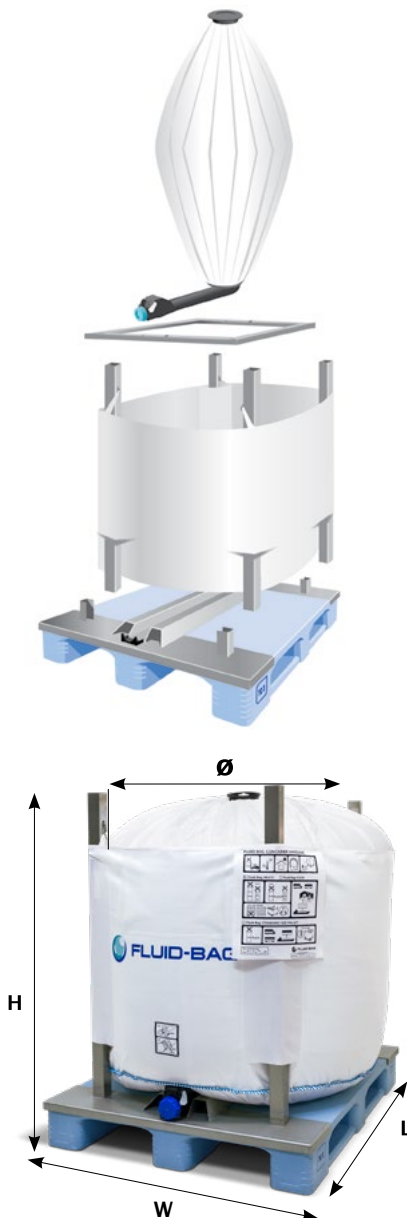
Delivery of Empty Containers

The inner containers are delivered in boxes of 20 (15 in boxes for irradiation) and replacement transport bags in piles of 220. Transport pallets with pallet overlay kits in stacks of 9-10.



Transport of Filled Containers

Fluid-Bag with pallet overlay kit can be transported by road and rail. For return transportation the pallets can be stacked. Transport bags are placed inside the pallet stack.



Dimensions (mm)

	1000 l
L	1220
W	1015
H	1285
Ø	1170